



Address:
JAMBU PERSHAD & SONS
6275/22 Nicholson Road,
Ambala Cantt, Haryana,
INDIA
Pin: 133001

Email:
sales@japson.com
japsonambala@yahoo.com

Website:
www.japson.com
Phone:
+91-171-4006897

Water Tap, 3 Way J Type , Euro, for Pharma & Lab

Product Image



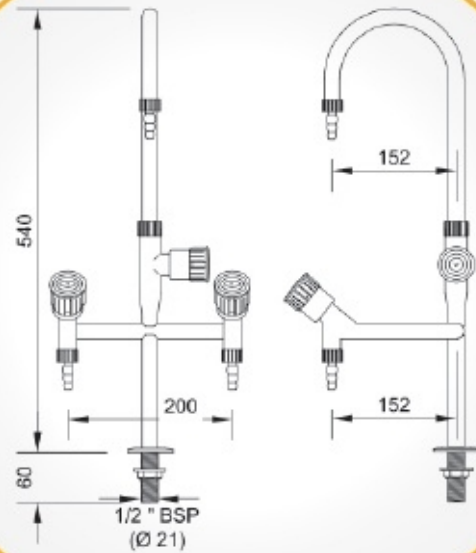
Description

3 Way Water Taps

- Taps are made from high quality Brass Forging Grade as per IS 8737 2007 & Machining grade as per IS : 319 (I) material to avoid porosity & leakage.
- Taps are Powder Coated with Full Glossy Epoxy Fusion Bond & are available in Grey Colour.
- Taps are tested in Pneumatic Test at 250 PSI, in Hydraulic Test at 30 PSI & Bursting Test at 500 PSI to avoid leakage.
- Goose Neck Spout : 360° Swing with Brass headwork : Full turn; Life Cycle Test : Upto 5,00,000 Cycles.
- Water Static Pressure Max : 14 Bar



3 Way Water Tap " J " Type



Water Tap, 3 Way J Type , Euro, for Pharma & Lab

Catalog No. 101174

Disclaimer

The Products details given on this page are indicative in nature and JAPSON reserves the right to change them without prior notice. Buyer is also requested to re-check the specifications and other features of product at the time of order as product development is a continuous process and minor modifications may be made to design based on latest availability, process and design.