



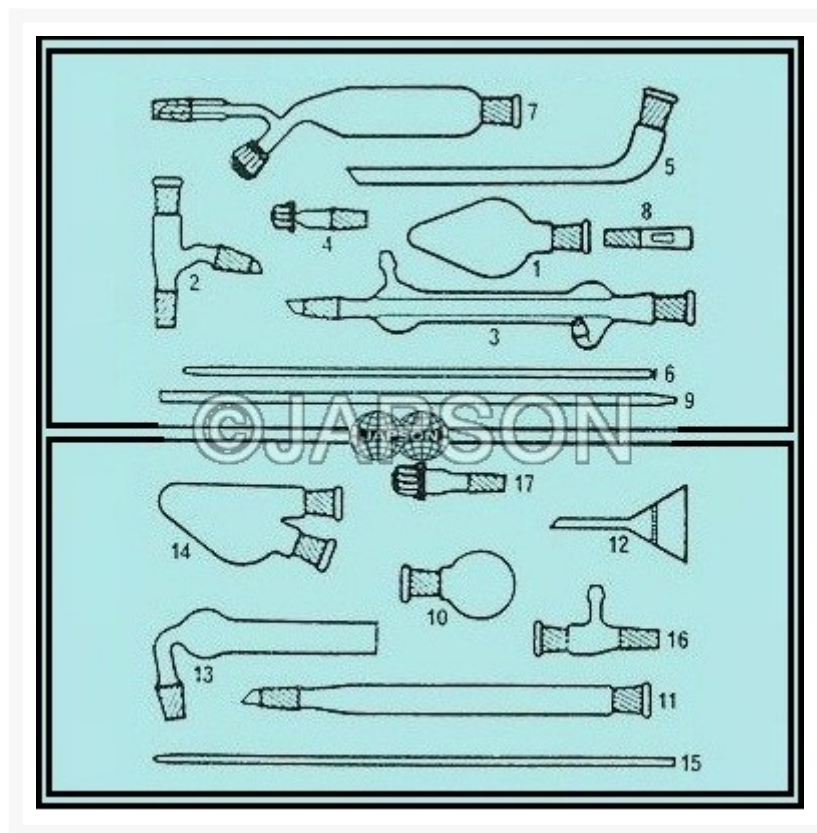
Address:
JAMBU PERSHAD & SONS
6275/22 Nicholson Road,
Ambala Cantt, Haryana,
INDIA
Pin: 133001

Email:
sales@japson.com
japsonambala@yahoo.com

Website:
www.japson.com
Phone:
+91-171-4006897

Quick Fit Kits

Product Image



Description

Catalog No.

JG19701

Particulars

Semi Micro B 10 joints Set
Consisting of 22 Parts similar to
Q.F 10BU

- JG19702 Semi Micro B 10 joints Set
Consisting of 20 Parts similar to
Q.F 12BU
- JG19703 Organic Micro B 14 joints Set
Consisting of 5 Parts similar to
Q.F 29BU
- JG19704 Organic Micro B 14 joints Set
Consisting of 9 Parts similar to
Q.F 27BU
- JG19705 Organic B 14 joints Sets
Consisting of 17 Parts similar to
Q.F 23BU
- JG19706 Organic B 19 joints Sets
Consisting of 11 Parts similar to
Q.F 46BU
- JG19707 Organic B 19 joints Sets
Consisting of 22 Parts similar to
Q.F 42BU
- JG19708 Organic multi joint sets
Consisting of 16 Parts similar to
Q.F 34BU
- JG19709 Organic multi joint sets
Consisting of 26 Parts similar to
Q.F 33BU
- JG19710 Organic multi joint sets
Consisting of 46 Parts similar to
Q.F 32BU
- JG19711 Organic multi joint sets
Consisting of 101 Parts similar to
Q.F 30BU
- JG19712 General Utility sets Consisting of
19 Parts similar to Q.F 2BU
- JG19713 Inorganic chemistry Sets for the
preparation of various inorganic
gases, consisting of 24 parts
similar to Q.F . G.S.

Disclaimer

The Products details given on this page are indicative in nature and JAPSON reserves the right to change them without prior notice. Buyer is also requested to re-check the specifications and other features of product at the time of order as product development is a continuous process and minor modifications may be made to design based on latest availability, process and design.