



Address:
JAMBU PERSHAD & SONS
6275/22 Nicholson Road,
Ambala Cantt, Haryana,
INDIA
Pin: 133001

Email:
sales@japson.com
japsonambala@yahoo.com

Website:
www.japson.com
Phone:
+91-171-4006897

Panel Mounted Valve, 45° Nozzle & 90° Elbow for Fume Hood

Product Image

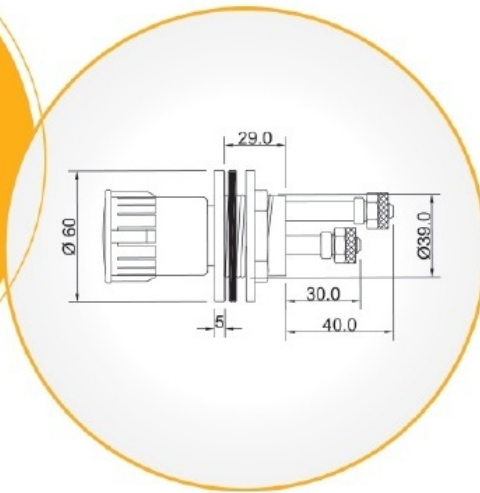


Description

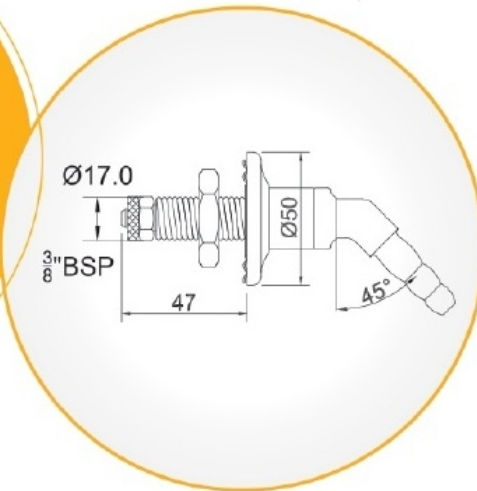
Panel Mounted Valve, 45° Nozzle & 90° Elbow for Fume Hood:-

- Taps are made of high quality brass forging grade as per IS8737 2007 machining grade as per IS:319 (I) material to avoid porosity and leakage.
- Taps are powder coated with fully glossy epoxy fusion bond and are available in grey colour.
- Taps are tested in Pneumatic Tested at 250 PSI & in Hydraulic Test at 30 PSI to avoid Leakage.
- Life Cycle Test : Upto 5,00,000 cycles.
- Water Static Pressure Max: 14 Bar

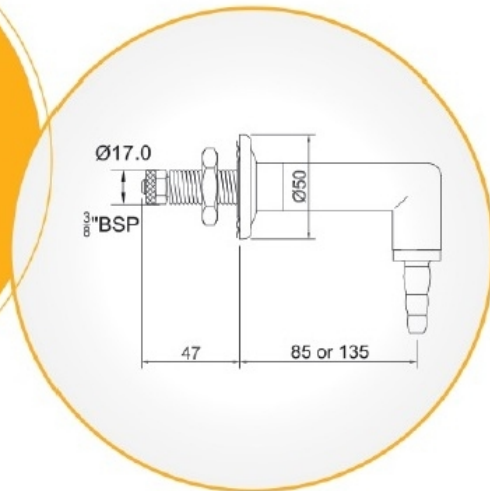
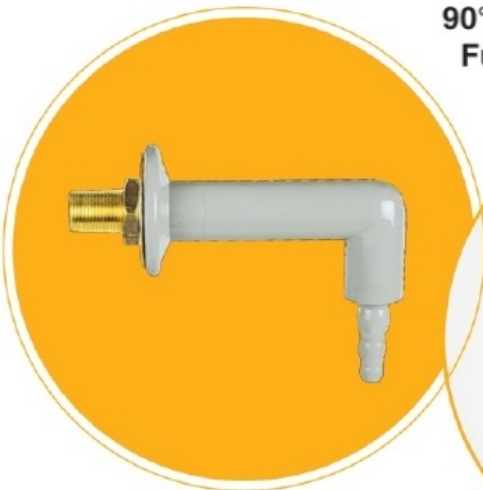
Panel Mounted Valve for Fume Hood



45° Nozzle for Fume Hood



90° Elbow for Fume Hood



-

Panel Mounted Valve for Fume Hood, Water	Catalog No. 101166 (A)
Panel Mounted Valve for Fume Hood, Air	Catalog No. 101166 (B)
Panel Mounted Valve for Fume Hood, Nitrogen	Catalog No. 101166 (C)
Panel Mounted Valve for Fume Hood, Vacuum	Catalog No. 101166 (D)
Panel Mounted Valve for Fume Hood, Gas	Catalog No. 101166 (E)
45° Nozzle for Fume Hood	Catalog No. 101166 (F)
90° Elbow for Fume Hood	Catalog No. 101166 (G)

Disclaimer

The Products details given on this page are indicative in nature and JAPSON reserves the right to change them without prior notice. Buyer is also requested to re-check the specifications and other features of product at the time of order as product development is a continuous process and minor modifications may be made to design based on latest availability, process and design.