



**Address:**  
**JAMBU PERSHAD & SONS**  
6275/22 Nicholson Road,  
Ambala Cantt, Haryana,  
INDIA  
Pin: 133001

**Email:**  
sales@japson.com  
japsonambala@yahoo.com

**Website:**  
www.japson.com  
**Phone:**  
+91-171-4006897

---

# Oval Sink & Cup Sink for Fume Hood

## Product Image

---



## Description

---

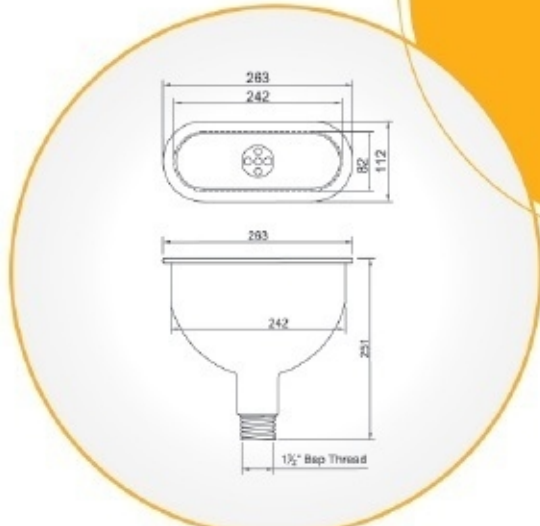
**Oval Sink & Cup Sink:**

- Sink are available in various sizes & are made from highly chemical resistant PP material with superior surface finish & in black colour.

- They are easy to install & Long Lasting.



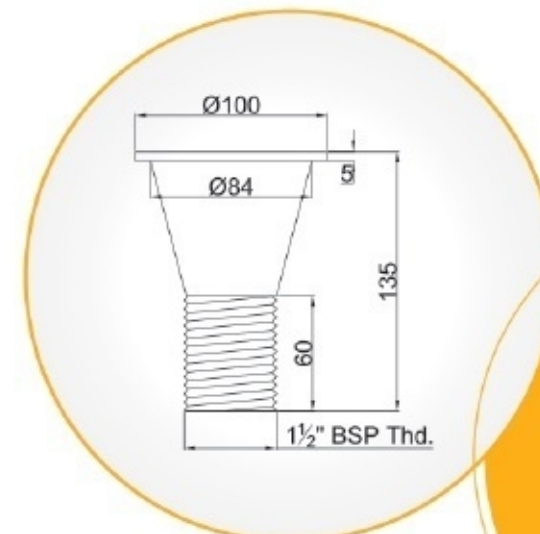
**PP Oval Sink**  
**Size 6" x 3"**



**PP Oval Sink**  
**Size 10" x 3"**



**Cup Sink**  
**Size 6"**



**Cup Sink**  
**Size 4"**

-  
PP Oval Sink, 10x3 inches

**Catalog No. 101167 (A)**

PP Oval Sink, 10x3 inches

**Catalog No. 101167 (B)**

Cup Sink, 4 inches

**Catalog No. 101167 (C)**

Cup Sink, 6 inches

**Catalog No. 101167 (D)**

## Disclaimer

---

The Products details given on this page are indicative in nature and JAPSON reserves the right to change them without prior notice. Buyer is also requested to re-check the specifications and other features of product at the time of order as product development is a continuous process and minor modifications may be made to design based on latest availability, process and design.